

Unisort[®] Circula[®]

Empowering Workspace Recycling



Uni[®]
sort



We help organisations to promote & increase recycling at work, to achieve their sustainability goals and reduce their environmental impact.



Uni[®]
Sort

We Make Workspace Recycling

- Easier
- Engaging
- Efficient
- Eco Friendly



Uni[®]
sort

We Help You To

- Drive Behavioural Change
- Increase Recycling
- Reduce Carbon Footprint
- Elevate Your Brand



Uni[®]
Sort

Why Unisort?

Our Proven Methodology

- Customised, design-led solutions
- Delivered at speed
- Proactive communication
- Meticulous support

Over 10 years experience and 1,700 clients



Unisort® Circula® Specification

Design led, modular
recycling station

80L Capacity

Made of Durable
Powder Coated Steel

Patented Innovation

Made in the UK

10 Year Warranty*



*Subject to registering online

Making Recycling Easy & Engaging

Design-led recycling station ideal for offices, reception areas, breakout spaces and other shared environments.



Remove The Two Second Pause

Engage and communicate clearly with colour coded waste stream signage to remove the '2-second pause' and reduce the risk of contaminated waste.



Uni[®]
Sort

Unisort® Circula® Key Features



A Base Unit

Pull-to-open door with lockable base available.
Standard **UC7010G**
Lockable **UC7020G**



B Waste Stream Apertures

Specific shape apertures make correct waste stream separation easy.
5 options



C Unisort Liner System Compatible

Reduce your plastic use by up to 80% and decrease your CO₂ emissions by using our Liner System instead of 'standard' bags.

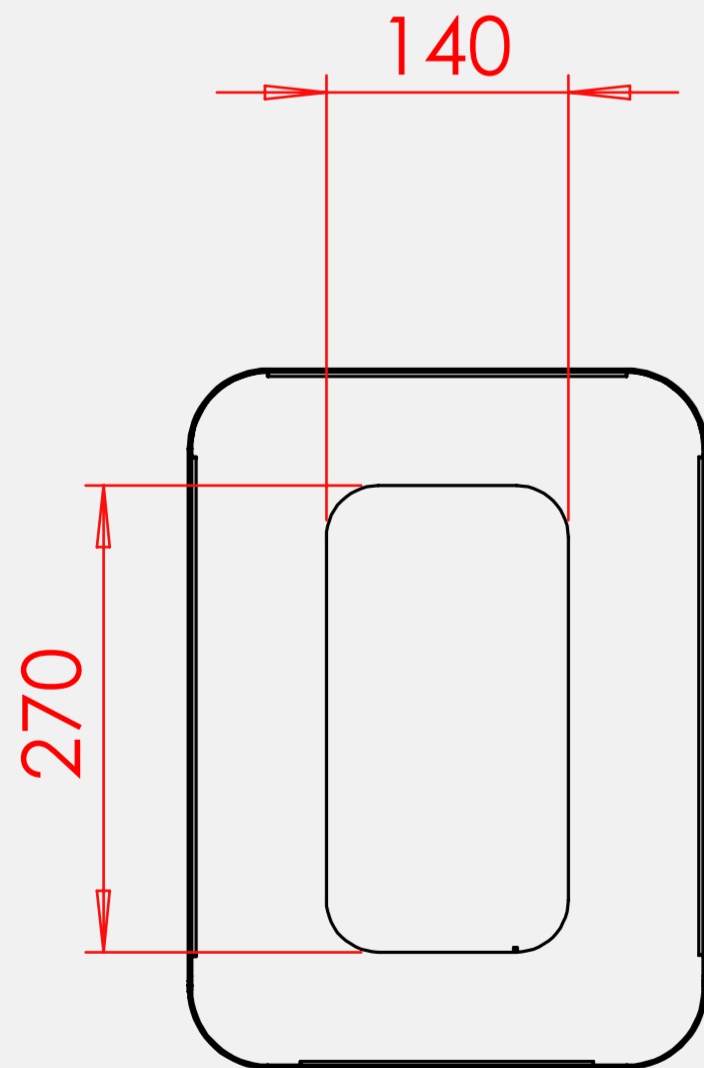


D Adjustable Feet

Fitted with adjustable feet to provide stability and precise levelling on uneven surfaces.

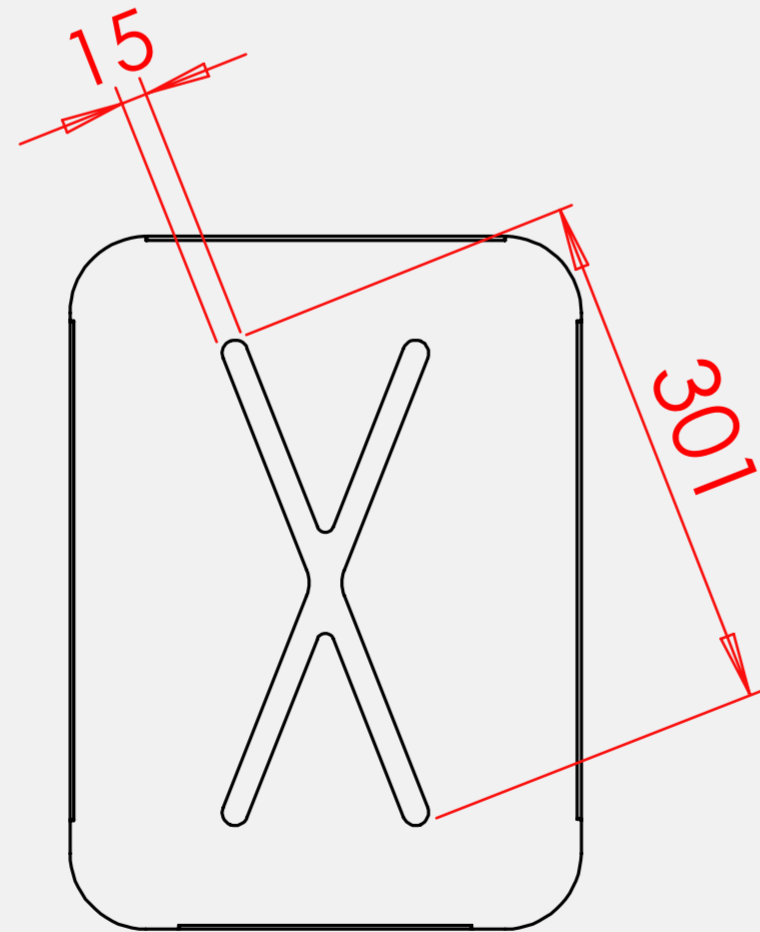
Aperture Options

Open Apertures



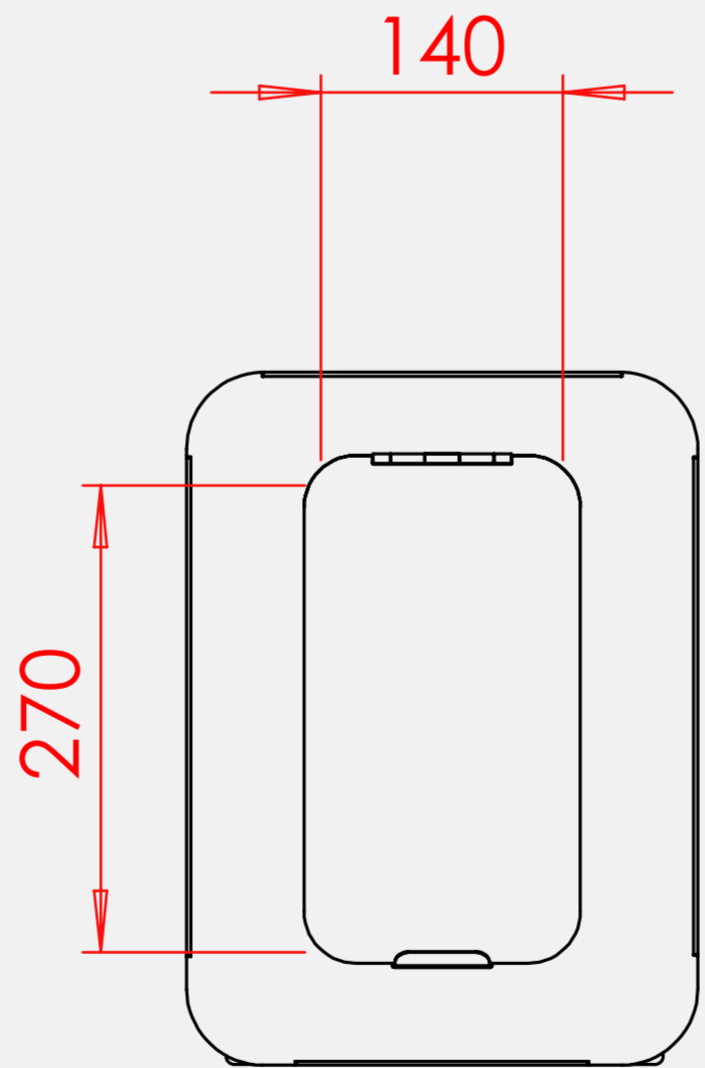
Used for
All types of waste items.

X Slot Aperture



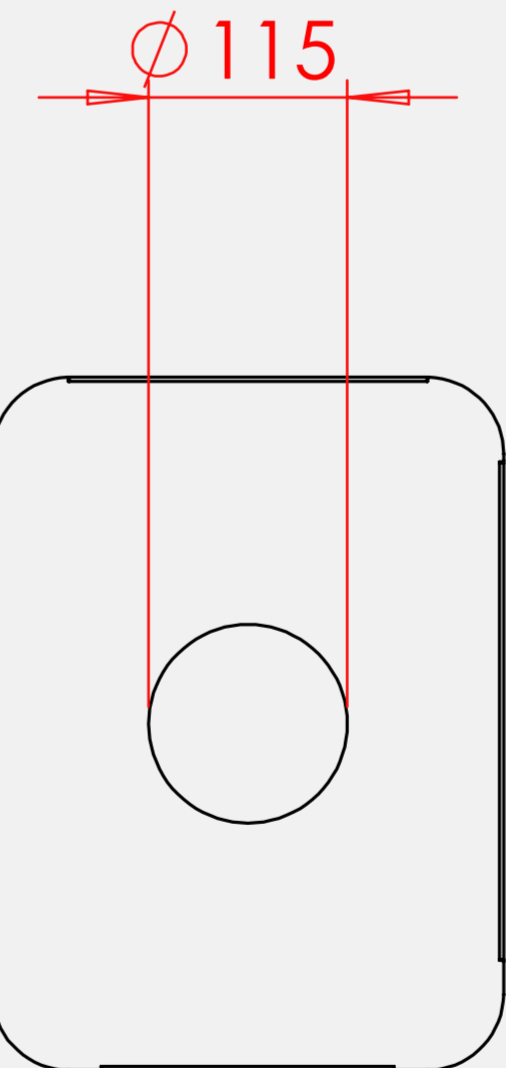
Used for
Paper & Confidential Paper.

Lift-up Lid



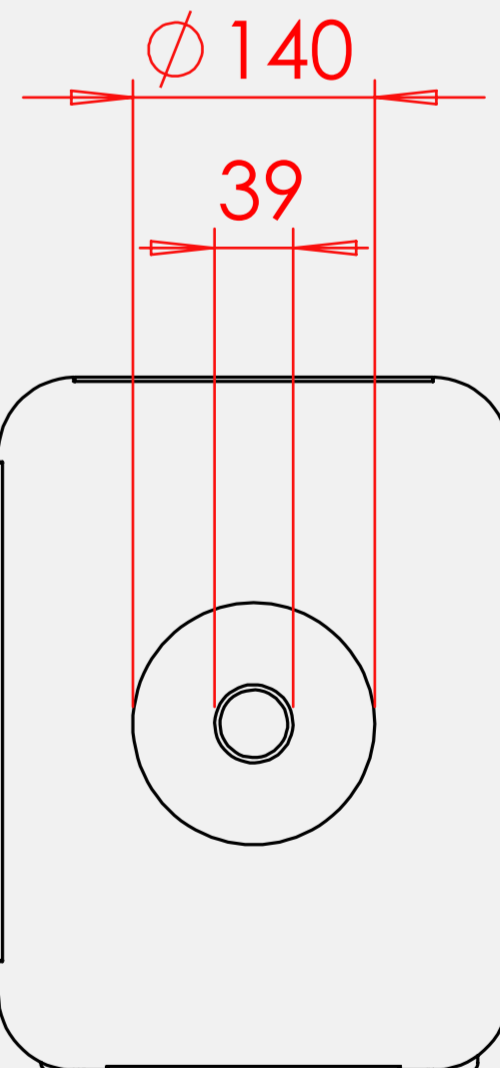
Used for
All types of waste items, most commonly used for Food Waste.

Round Aperture



Used for
Drink bottles (500ml), Cans & Tins.

Liquid Funnel



Used for
All types of liquid collection.

Sustainable Bamboo Worktops

Elevate your space with a worktop crafted from fast-growing bamboo, combining durability and sustainability.

Lacquered Bamboo

12mm thickness.

Growing bamboo uses 1/3 of the water consumption than growing oak.

Bamboo is one of the fastest growing land plants in the world.

Bamboo fiber is 2 to 3 times stronger than timber.

Virtually, every part of the bamboo plant can be used with very low waste from product waste.

Bamboo releases 35% more oxygen than hardwood forests.

Bamboo is naturally anti-bacterial, anti-fungal and easy to clean.



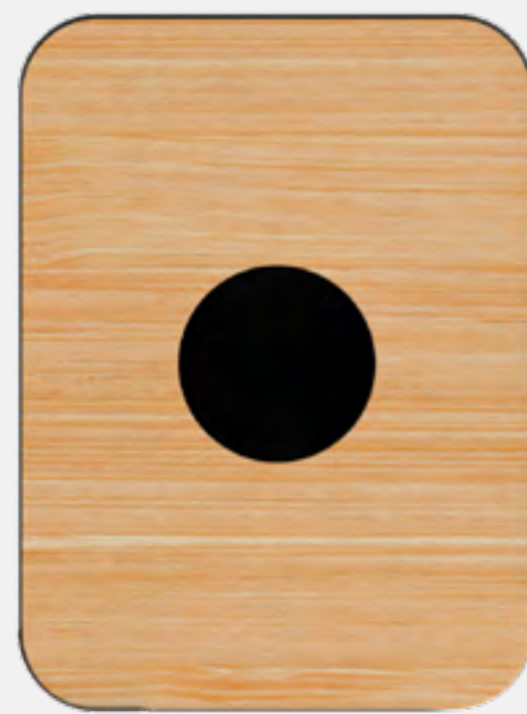
Open Aperture



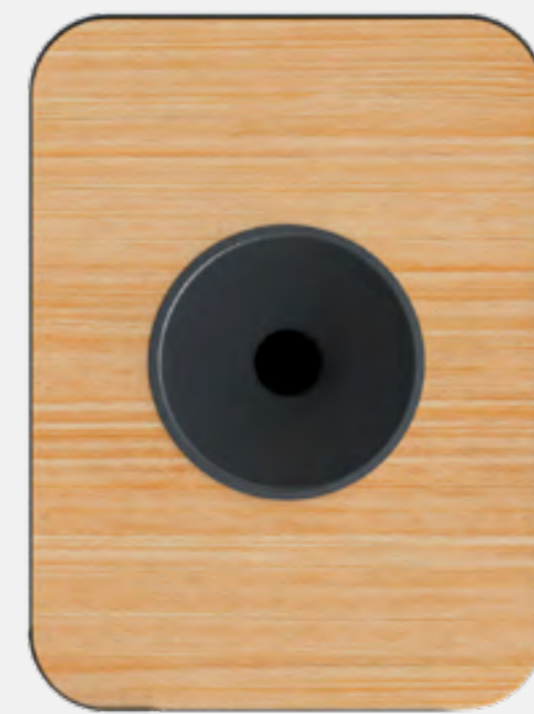
X Slot



Lift Up Lid



Round Aperture



Liquid Funnel





Unisort® Circula®
Flexible, customisable
and easy to use



Recycling Engagement Training Sessions

The purpose of our training sessions is to empower employees and management alike with the knowledge, tools, and motivation necessary to elevate recycling efforts within their organisation.

The sessions will educate your team why recycling is important in the workplace and help to clarify local and regional recycling laws.



Used Bin Takeback & Recycling

We are committed to sustainability and environmental responsibility. As part of our ongoing efforts to minimize waste and promote recycling, we offer all our UK clients a Used Bin Takeback & Recycling Service.

This takeback service is designed to facilitate the recycling of old waste bins from our customers when we deliver their new recycling stations.



Judge Us By The Company We Keep

COSTA

 **HSBC**



British Gas 

 | 



 **NatWest**

 **BARCLAYS**


Red Bull




Nestlé


Unilever

AstraZeneca 

H&M

 **TikTok**

 **Adobe**

 **Microsoft**

 **dpd**


gsk

amazon 

M&S

Sainsbury's

SAMSUNG

DOLCE & GABBANA


adidas

NHS

BRITISH AIRWAYS 

SONY


AVIVA


Legal & General

 **UNIVERSITY OF BATH**

 **Cardiff Metropolitan University**

Find Out More

The Unisort Range



Unisort Aspire
Our flagship customisable recycling stations.



Unisort Climate
An overview to the Unisort Climate range and options.



Unisort Cup Collector
Our dedicated cup collecting recycling station.



Unisort Liner System
The bin liner system that reduces your plastic wastage and emissions by 80%.



Contact Us

Find out how we can help you achieve your recycling goals.

0330 700 6000

sales@unisort.co.uk

unisort.co.uk

Head Office
Unisort Ltd
17B Millers Ave
Bridgend
CF32 9TD

London
Unisort Ltd
30 Dukes Place
London
EC3A 7LP



Empowering
Workspace
Recycling

